

APPLICATION

- Mounted LED luminaire for interior lighting
- Installation of luminaire in special metal raster ceilings

FEATURES / TECHNICAL DATA

- Luminaire equipped with LED chips of renowned brands Samsung, LG
- Possibility of individual adjustment of luminaire power by manufacturer
- Continuous control dimming capability 0 - 100% DALI, PWM
- Luminaire's specific output diffuser MICRO >147 lm/W at 58W CRI 80
- Luminaire's specific output diffuser MEDIO >115 lm/W at 58W CRI 80
- LED service life L85 / B10 ≤50000h
- LED service life indicated by the manufacturer L90 ≤ 100000h
- Replacement chromaticity colour temperature 3000K, 4000K
- Colour rendering of CRI 80, 90, 95
- Protection category IP20, IP44
- Energy class A+++
- Low starting flow currents
- Connection: screw connector terminal block, max. conductor cross section 2,5mm²
- Wide range of operating temperatures: ta - 20°C to + 65°C
- Low EMC interference (55W Lambda = 0.97)
- 6-year warranty

LUMINAIRE

- Visible frame of luminaire white-lacquered RAL 9010

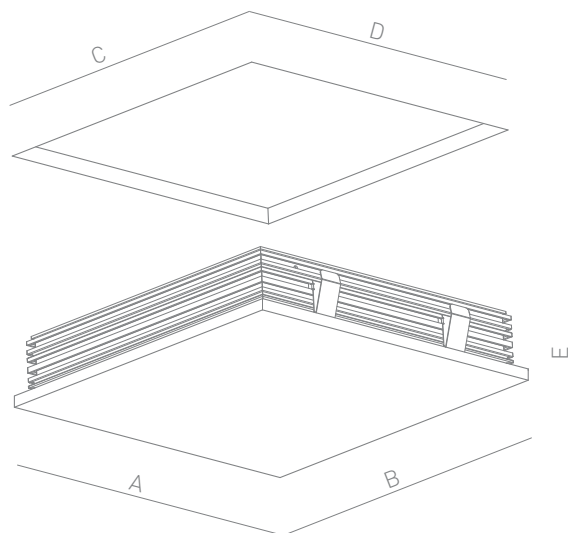
DIFUSSER

- MICRO - PMMA Clear Colours / microprisma

POWER SUPPLY

- Bright Engine® LED module assembly
- Direct mains (230V) power supply without the need for a low voltage power driver
- Protection against damage caused by electrostatic discharge





Series C types	A × B [mm]	E for MICRO [mm]	E for MEDIO [mm]	Output [W]	Difusser		Protection		Colour temperature		CRI		Control
C 300													
C 312	312 × 1250	55	85	18W - 52W	MICRO	MEDIO	IP20	IP54	3000K	4000K	90+	98+	DALI
KOD	C 312			X	C	E	2	5	3	4	9	8	D

Series C types	A × B [mm]	E for MICRO [mm]	E for MEDIO [mm]	Output [W]	Difusser		Protection		Colour temperature		CRI		Control
C 600													
C 6A6	600 × 600	55	85	18W - 52W	MICRO	MEDIO	IP20	IP54	3000K	4000K	90	98+	DALI
KOD	C 6A6			18W - 52W	C	E	2	5	3	4	9	8	D
KOD	C 6B6			18W - 52W	C	E	2	5	3	4	9	8	D
KOD	C 6C6			18W - 52W	C	E	2	5	3	4	9	8	D
KOD	C 6I2			36W - 104W	C	E	2	5	3	4	9	8	D
KOD	C 6I3			36W - 104W	C	E	2	5	3	4	9	8	D
KOD	C OR			xW - xW	C	E	2	5	3	4	9	8	D

Code composition ex.: **C61346C248D** = **C613** + **46** + **C** + **2** + **4** + **8** + **D**

Bright Engine®

Bright Engine® is a LED lighting module for direct 230VAC power supply without the use of low voltage drivers. Unique design of the LED module delivers an unrivaled combination of luminous efficiency, service life, reliability, durability and cost. With this design and pricing policy, we use the Bright Engine® module as a common light source in our luminaires that we manufacture in the Czech Republic. Bright Engine® luminaires are dimmable.