



## APPLICATION

- Mounted LED luminaire for interior lighting
- Installation of luminaire in plasterboard

## FEATURES / TECHNICAL DATA

- Luminaire equipped with LED chips of renowned brands Samsung, LG
- Possibility of individual adjustment of luminaire power by manufacturer
- Continuous control dimming capability 0 - 100% DALI, PWM
- Luminaire's specific output diffuser MICRO > 159 lm / W at 28W CRI 80
- Luminaire's specific output diffuser MEDIO > 121 lm / W at 31W CRI 80
- LED service life L85 / B10 ≤ 50000h
- LED service life indicated by the manufacturer L90 ≤ 100000h
- Replacement chromaticity colour temperature 3000K, 4000K
- Colour rendering of CRI 80, 90, 95
- Protection category IP20
- Energy class A+++
- Low starting flow currents
- Connection: screw connector terminal block, max. conductor cross section 2,5mm<sup>2</sup>
- Wide range of operating temperatures: ta - 20°C to + 65°C
- Low EMC interference (5W Lambda = 0.97)
- 6-year warranty

## LUMINAIRE

- Visible luminaire frame white-lacquered

## DIFUSSER

- MICRO - PMMA Clear Colours / microprisma
- MEDIO - PET opal colour

## POWER SUPPLY

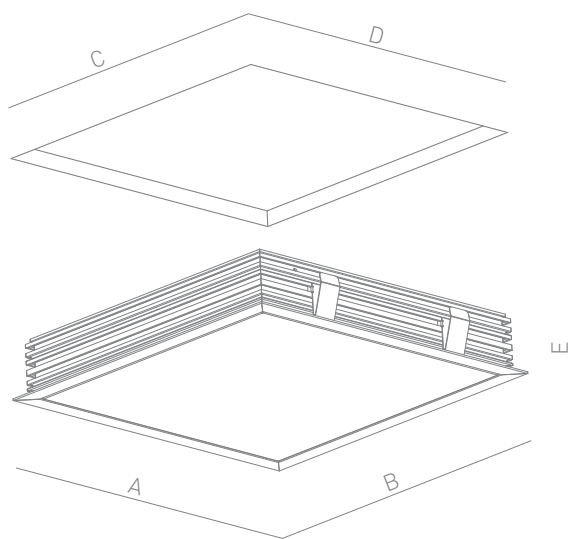
- Bright Engine® LED module assembly
- Direct mains (230V) power supply without the need for a low voltage power driver
- Protection against damage caused by electrostatic discharge



PŘEDSUNUTÉ



ZAPUŠTĚNÉ



Typy série V	A × B [mm]	C × D [mm]	E for MICRO [mm]	E for MEDIO [mm]	Output [W]	Difusser		Protec-tion	Colour temperature		CRI			Control
<b>V 300</b>														
V 303	321 × 321	309 × 309	55	85	8W - 26W	MICRO	MEDIO	IP20	3000K	4000K	80+	90+	98+	PWM
KOD	V 303				X	C	E	2	3	4	8	9	8	P
V 306	335 × 635	320 × 620	55	85	8W - 26W	MICRO	MEDIO	IP20	3000K	4000K	80+	90+	98+	PWM
KOD	V 306				X	C	E	2	3	4	8	9	8	P
V 312	335 × 1235	320 × 1220	55	85	18W - 55W	MICRO	MEDIO	IP20	3000K	4000K	80+	90+	98+	DALI
KOD	V312				X	C	E	2	3	4	8	9	8	D

Typy série V	A × B [mm]	C × D [mm]	E for MICRO [mm]	E for MEDIO [mm]	Output [W]	Difusser		Protec-tion	Colour temperature		CRI			Control
<b>V 600</b>														
V 606	635 × 635	620 × 620	55	85	18W - 55W	MICRO	MEDIO	IP20	3000K	4000K	80+	90+	98+	DALI
KOD	V606				X	C	E	2	3	4	8	9	8	D

Code composition ex.: **V50546C248D** = **V505** + **46** + **C** + **2** + **4** + **8** + **D**

## Bright Engine®

Bright Engine® is a LED lighting module for direct 230VAC power supply without the use of low voltage drivers. Unique design of the LED module delivers an unrivaled combination of luminous efficiency, service life, reliability, durability and cost. With this design and pricing policy, we use the Bright Engine® module as a common light source in our luminaires that we manufacture in the Czech Republic. Bright Engine® luminaires are dimmable.