

APPLICATION

- Mounted LED luminaire for interior lighting
- Installation of luminaire in plasterboard up to max. 50 mm thickness

FEATURES / TECHNICAL DATA

- Luminaire equipped with LED chips of renowned brands Samsung, LG
- Possibility of individual adjustment of luminaire power by manufacturer
- Continuous control dimming capability 0 - 100% DALI, PWM
- Luminaire's specific output diffuser MICRO > 159 lm / W at 14W CRI 80
- Luminaire's specific output diffuser MEDIO > 121 lm / W at 13W CRI 80
- LED service life L85 / B10 ≤ 50000h
- LED service life indicated by the manufacturer L90 ≤ 100000h
- Replacement chromaticity colour temperature 3000K, 4000K
- Colour rendering of CRI 80, 90, 95
- Protection category IP20
- Energy class A+++
- Low starting flow currents
- Connection: screw connector terminal block, max. conductor cross section 2,5mm²
- Wide range of operating temperatures: ta - 20°C to + 65°C
- Low EMC interference (26W Lambda = 0.97)
- 6-year warranty

LUMINAIRE

- Visual part of luminaire diffuser only
- Recessed version - anodized aluminum luminaire frame

DIFUSSER

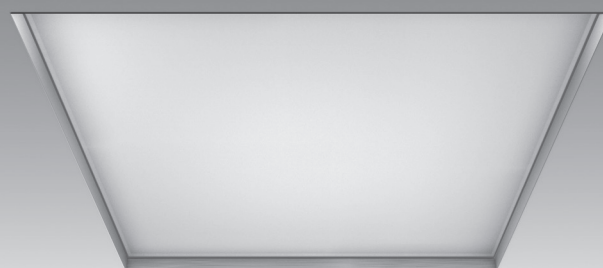
- MICRO - PMMA Clear Colours / microprisma
- MEDIO - PET opal colour
- Difusser height adjustment - raised, straight, recessed

POWER SUPPLY

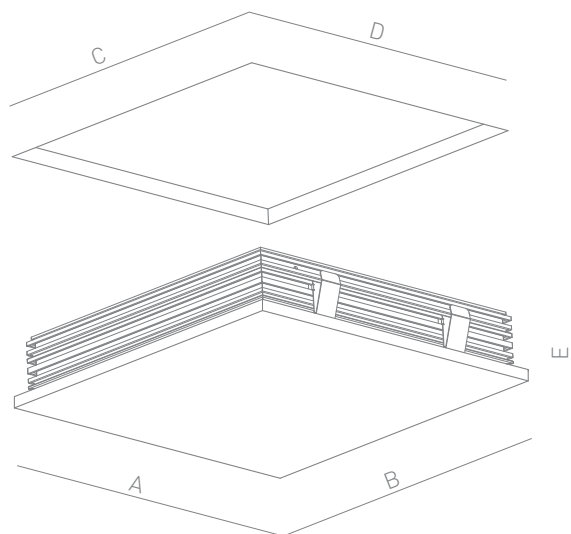
- Bright Engine® LED module assembly
- Direct mains (230V) power supply without the need for a low voltage power driver
- Protection against damage caused by electrostatic discharge



PŘEDSUNUTÉ



ZAPUŠTĚNÉ



Series B types	A × B [mm]	C × D [mm]	E for MICRO [mm]	E for MEDIO [mm]	Output [W]	Difusser		Protection	Colour temperature		CRI			Control
						MICRO	MEDIO		3000K	4000K	80+	90+	98+	
B 300														
B 303	291 × 291	309 × 309	55	90	8W - 26W	MICRO	MEDIO	IP20	3000K	4000K	80+	90+	98+	PWM
KOD	B 303				X	C	E	2	3	4	8	9	8	P

Code composition ex.: **B30346C248P** = **B303** + **46** + **C** + **2** + **4** + **8** + **P**

Bright Engine®

Bright Engine® is a LED lighting module for direct 230VAC power supply without the use of low voltage drivers. Unique design of the LED module delivers an unrivaled combination of luminous efficiency, service life, reliability, durability and cost. With this design and pricing policy, we use the Bright Engine® module as a common light source in our luminaires that we manufacture in the Czech Republic. Bright Engine® luminaires are dimmable.